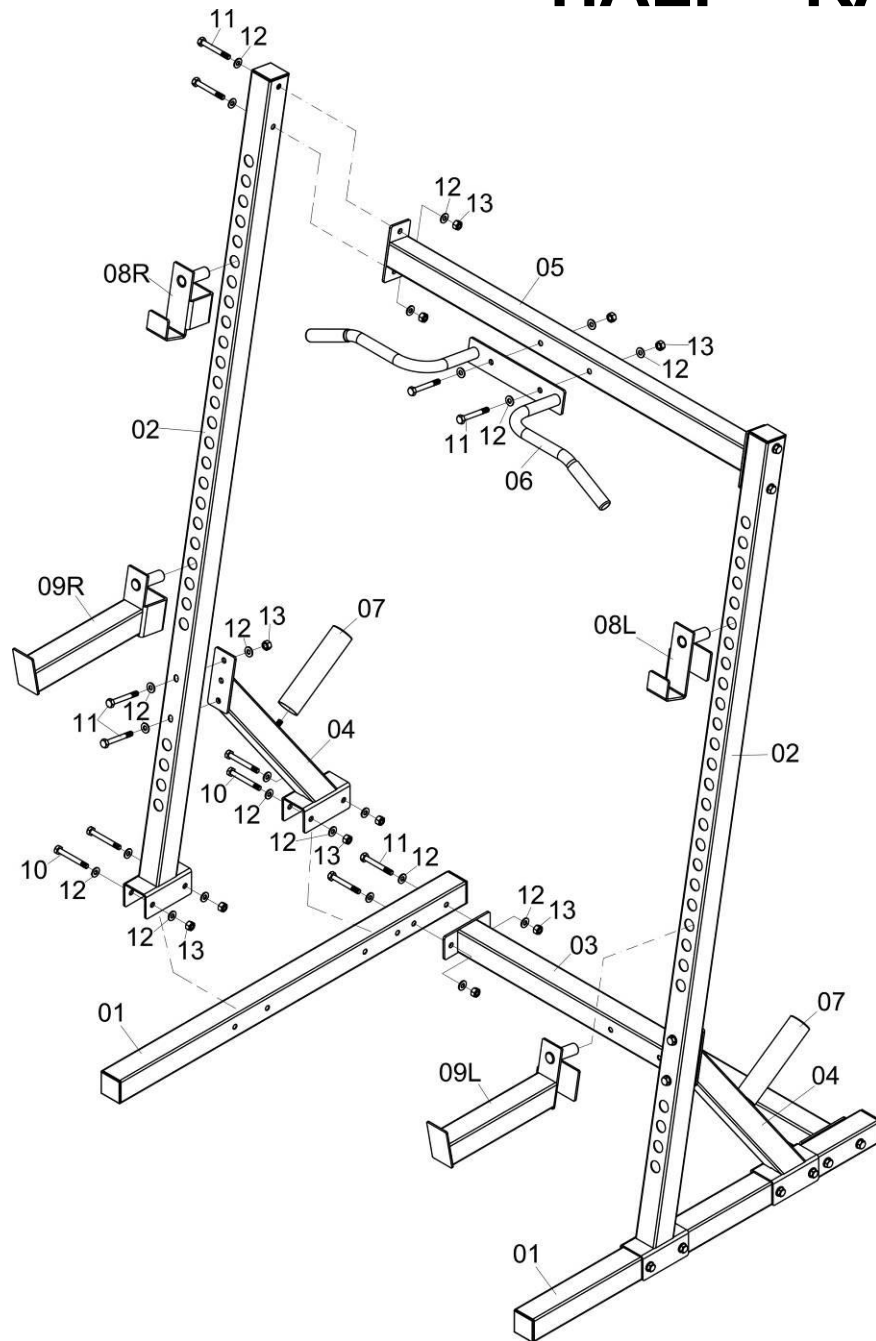


HALF RACK



PART NO	DESCRIPTION	Q'TY
01	MAIN BOTTOM TUBE	2
02	MIAN UPRIGHT TUBE	2
03	BOTTOM CONNECT TUBE	1
04	SUPPORT RACK	2
05	TOP CONNECT TUBE	1
06	HANDLE TUBE	1
07	OP TUBE	2
08L	LEFT WEIGHT RACK	1
08R	RIGHT WEIGHT RACK	1
09L	LEFT SAFE HOOK	1
09R	RIGHE SAFE HOOK	1
10	HEX BOLT M10*85	8
11	HEX BOLT M10*80	14
12	WASHER Φ 10	42
13	NYLON LOCK NUT M10	20